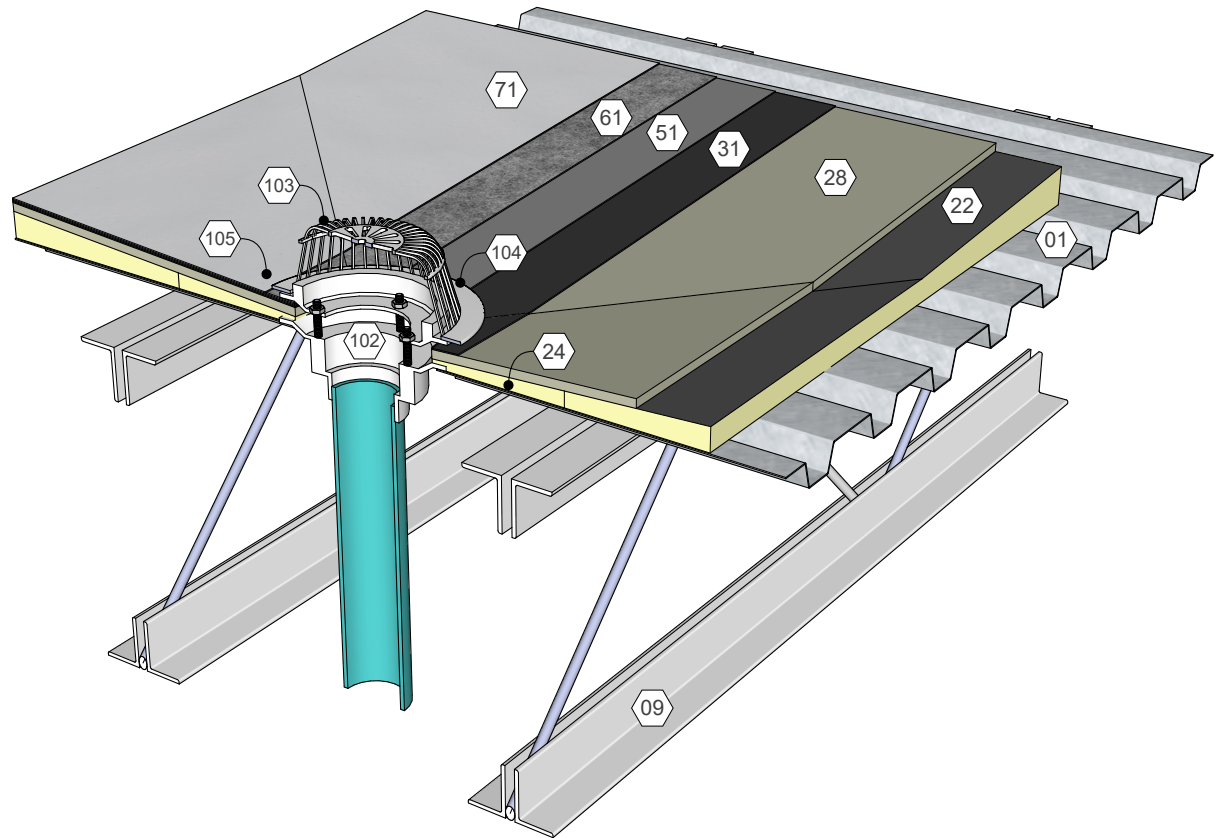
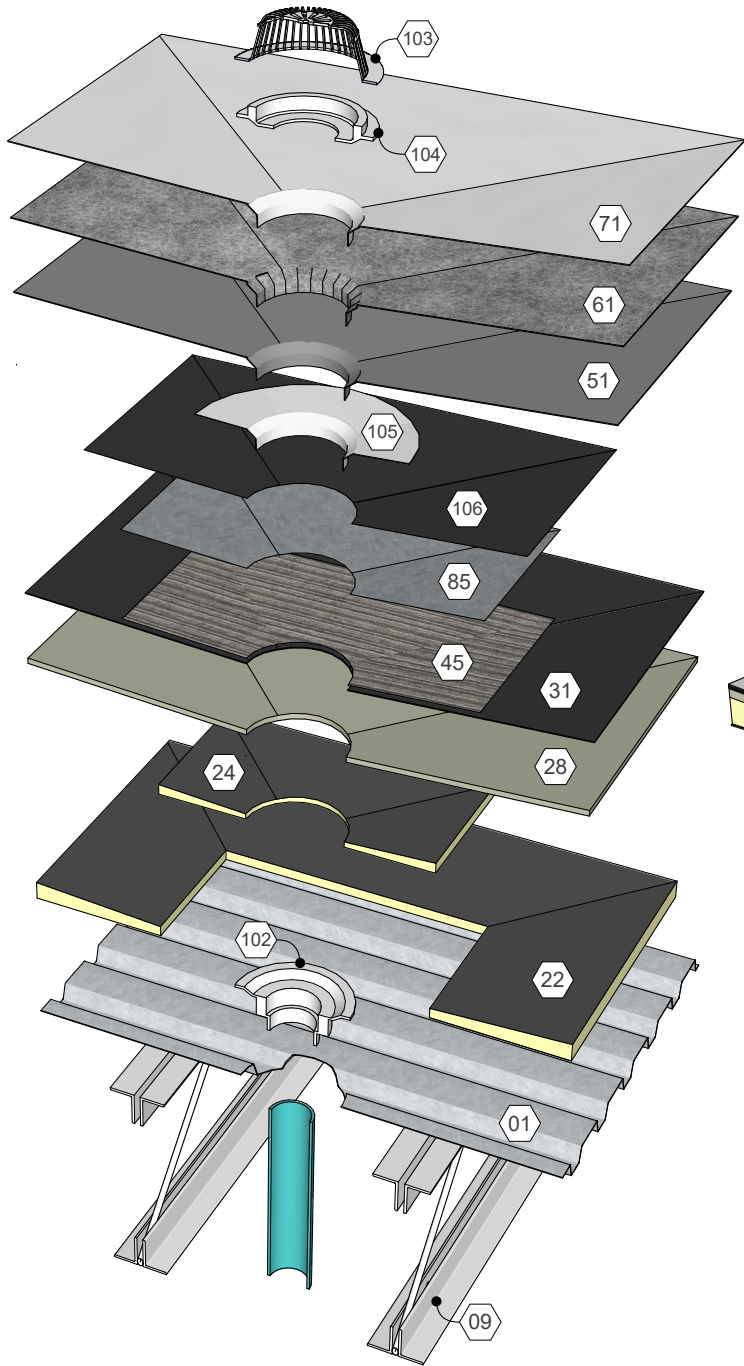
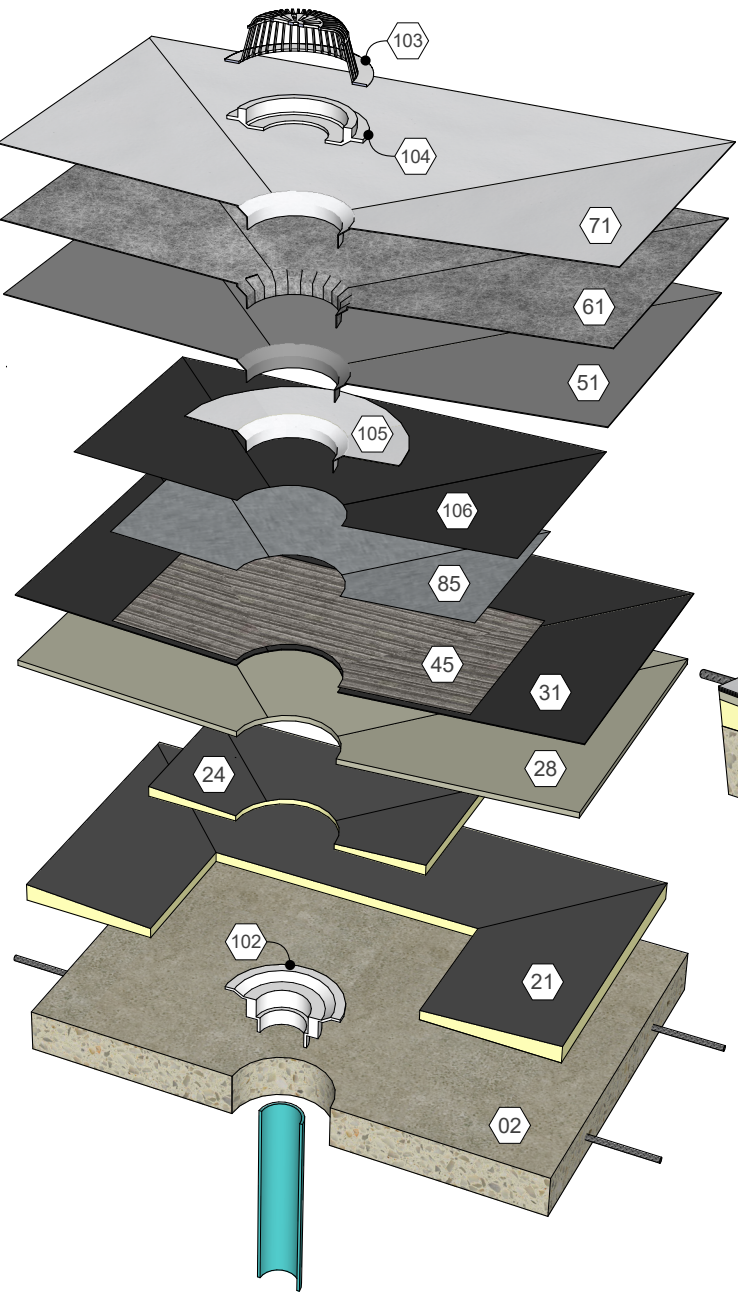


KEY NOTES

- | | | |
|--|-------------------------------------|-----------------------------|
| 01 Metal Deck | 31 Approved Base Ply Sheet | 85 Lead Flashing Sheet |
| 09 Roof Structure | 45 Roofing Mastic | 102 Drain Pan |
| 22 Polyisocyanurate Insulation (Fastened or Adhered) | 51 AlphaGuard MT/MTS Base Coat | 103 Metal Drain Strainer |
| 24 Tapered Insulation Sump | 61 AlphaGuard Glass Mat or Permafab | 104 Clamping Ring |
| 28 Cover Board (Adhered) | 71 AlphaGuard MT/MTS Top Coat | 105 AlphaGuard Target Patch |
| | | 106 Stripping Ply |

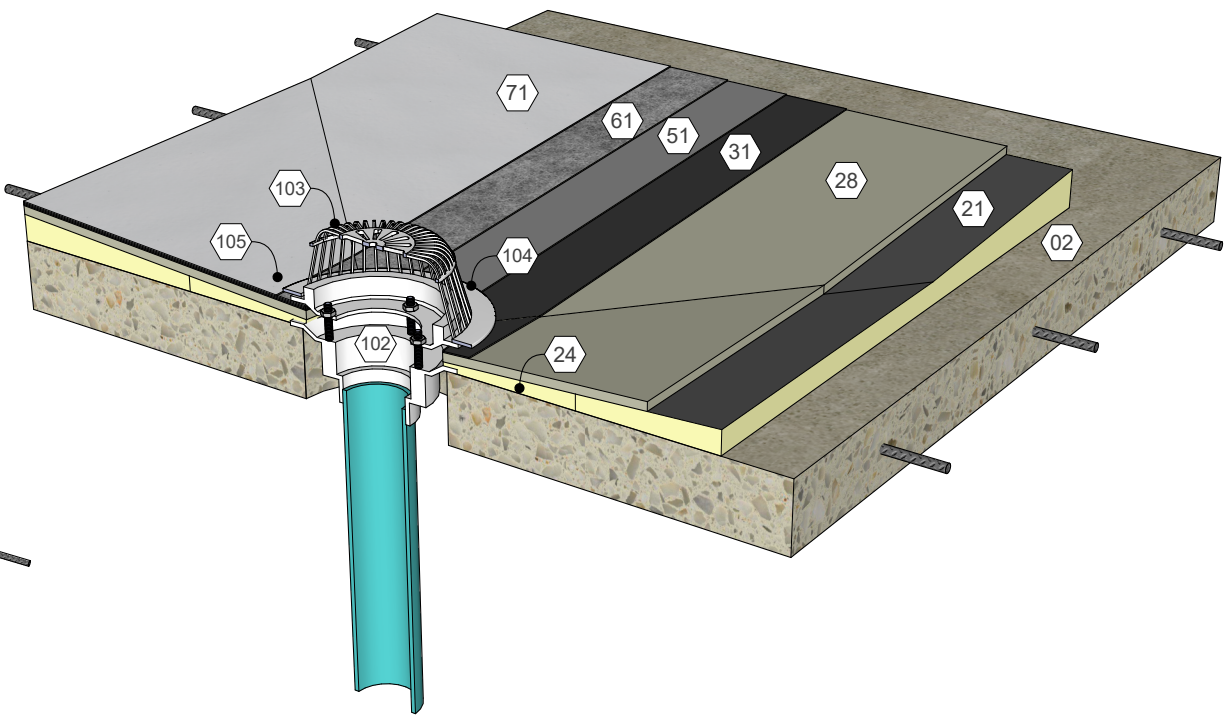


AlphaGuard® MT/MTS Plus Roof Drain Detail, Metal Deck
Detail 22221



KEY NOTES

- 02 Structural Concrete Deck
- 21 Polyisocyanurate Insulation (Adhered)
- 24 Tapered Insulation Sump
- 28 Cover Board (Adhered)
- 31 Approved Base Ply Sheet
- 45 Roofing Mastic
- 51 AlphaGuard MT/MTS Base Coat
- 61 AlphaGuard Glass Mat or Permafab
- 71 AlphaGuard MT/MTS Top Coat
- 85 Lead Flashing Sheet
- 102 Drain Pan
- 103 Metal Drain Strainer
- 104 Clamping Ring
- 105 AlphaGuard Target Patch
- 106 Stripping Ply

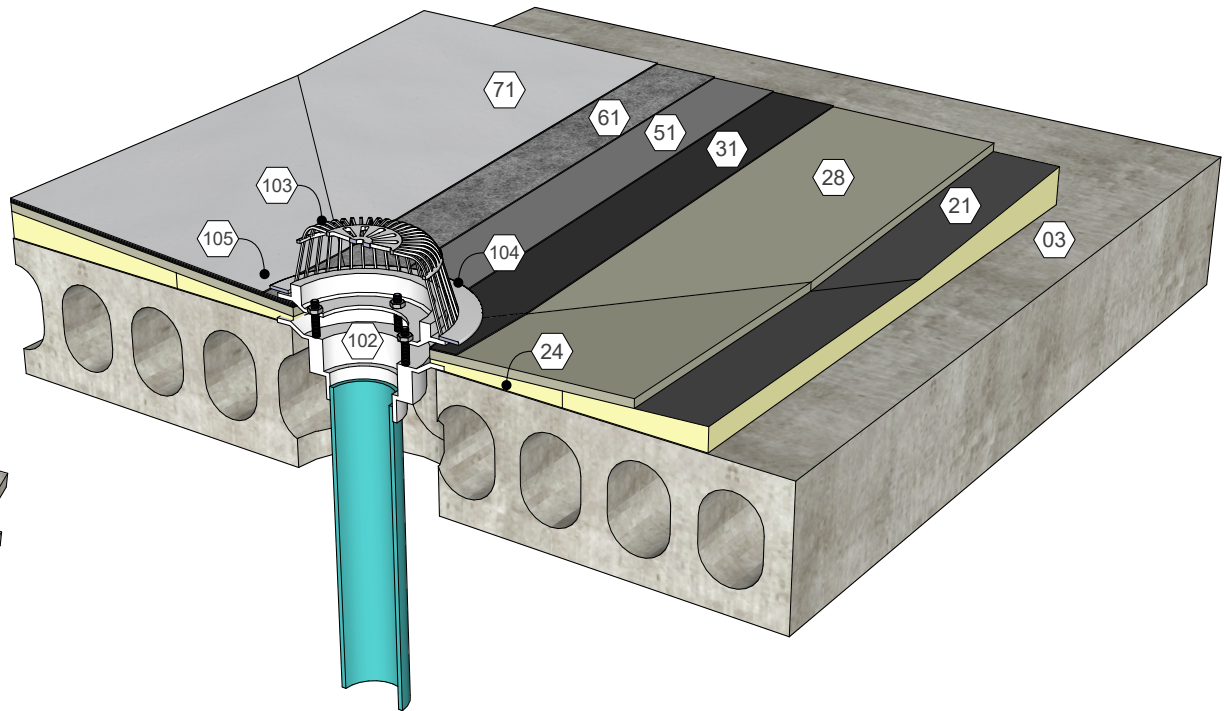
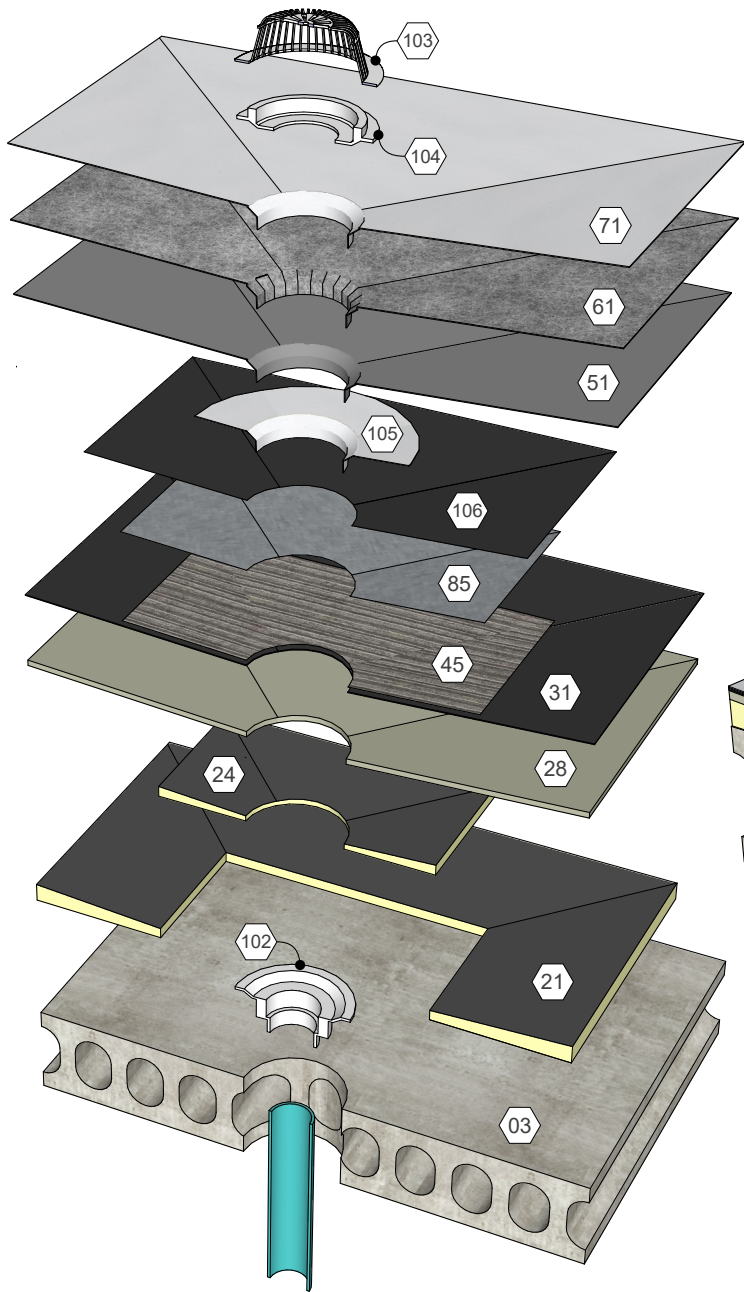


AlphaGuard® MT/MTS Plus Roof Drain Detail, Structural Concrete Deck
Detail 22222



KEY NOTES

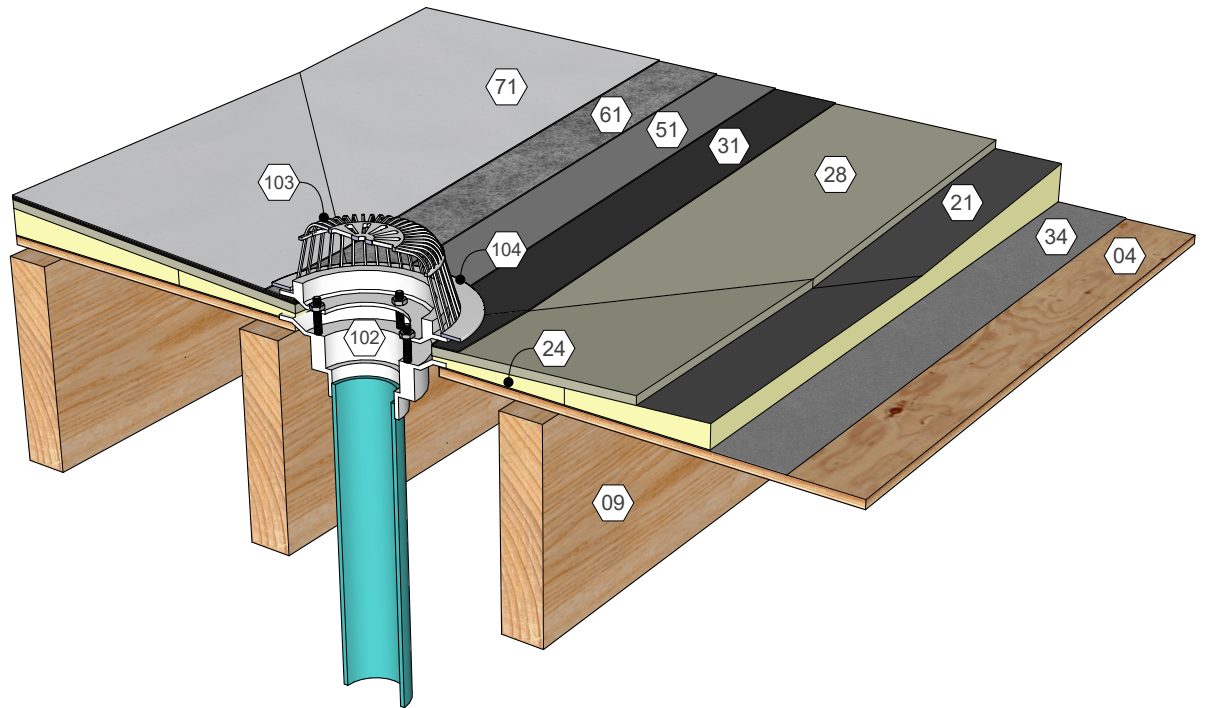
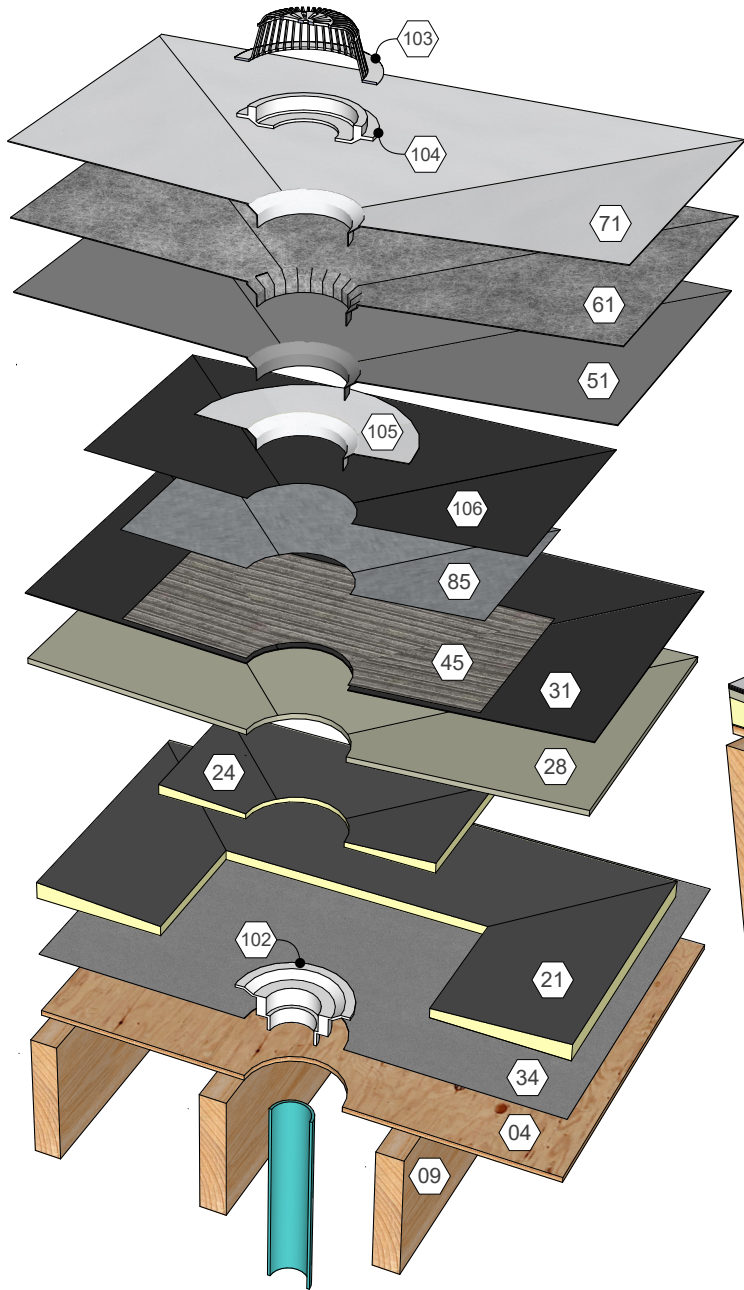
- | | | | | | |
|----|---------------------------------------|----|----------------------------------|-----|-------------------------|
| 03 | Precast Concrete Deck | 45 | Roofing Mastic | 102 | Drain Pan |
| 21 | Polyisocyanurate Insulation (Adhered) | 51 | AlphaGuard MT/MTS Base Coat | 103 | Metal Drain Strainer |
| 24 | Tapered Insulation Sump | 61 | AlphaGuard Glass Mat or Permafab | 104 | Clamping Ring |
| 28 | Cover Board (Adhered) | 71 | AlphaGuard MT/MTS Top Coat | 105 | AlphaGuard Target Patch |
| 31 | Approved Base Ply Sheet | 85 | Lead Flashing Sheet | 106 | Stripping Ply |



AlphaGuard® MT/MTS Plus Roof Drain Detail, Precast Concrete Deck
Detail 22223

KEY NOTES

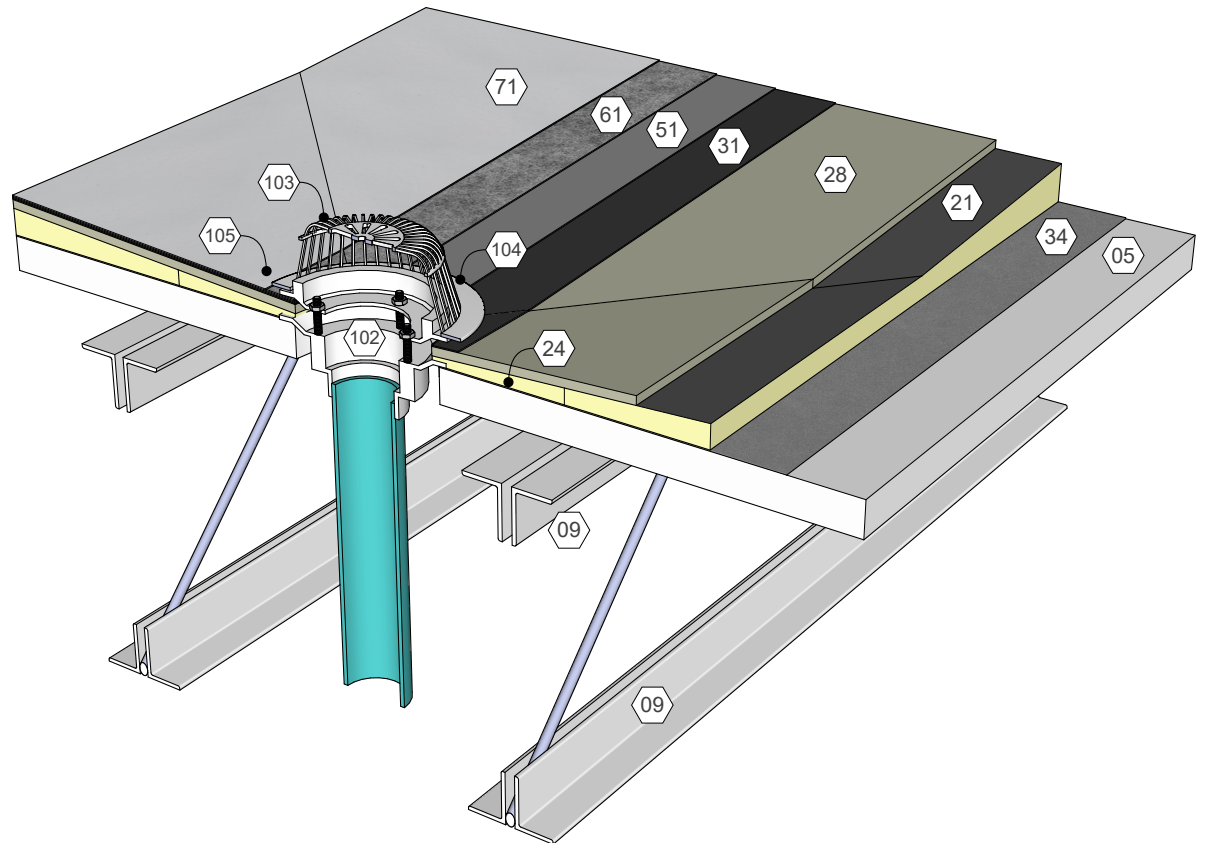
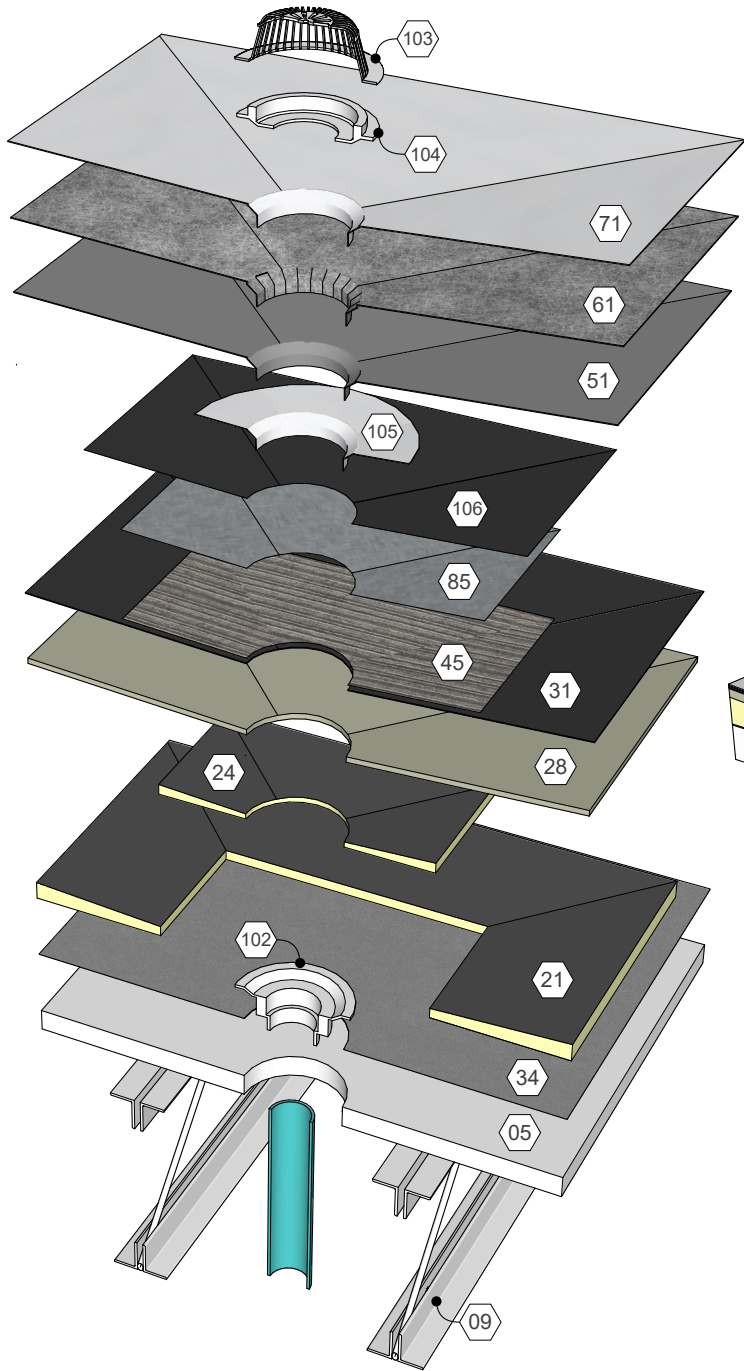
- | | | |
|--|-------------------------------------|-----------------------------|
| 04 Wood Deck | 31 Approved Base Ply Sheet | 85 Lead Flashing Sheet |
| 09 Roof Structure | 34 Base Sheet (Fastened) | 102 Drain Pan |
| 21 Polyisocyanurate Insulation (Adhered) | 45 Roofing Mastic | 103 Metal Drain Strainer |
| 24 Tapered Insulation Sump | 51 AlphaGuard MT/MTS Base Coat | 104 Clamping Ring |
| 28 Cover Board (Adhered) | 61 AlphaGuard Glass Mat or Permafab | 105 AlphaGuard Target Patch |
| | 71 AlphaGuard MT/MTS Top Coat | 106 Stripping Ply |



AlphaGuard® MT/MTS Plus Roof Drain Detail, Wood Deck
Detail 22224

KEY NOTES

- | | | |
|---|--------------------------------------|------------------------------|
| 05) Gypsum Deck | 31) Approved Base Ply Sheet | 85) Lead Flashing Sheet |
| 09) Roof Structure | 34) Base Sheet (Fastened) | 102) Drain Pan |
| 21) Polyisocyanurate Insulation (Adhered) | 45) Roofing Mastic | 103) Metal Drain Strainer |
| 24) Tapered Insulation Sump | 51) AlphaGuard MT/MTS Base Coat | 104) Clamping Ring |
| 28) Cover Board (Adhered) | 61) AlphaGuard Glass Mat or Permafab | 105) AlphaGuard Target Patch |
| | 71) AlphaGuard MT/MTS Top Coat | 106) Stripping Ply |



AlphaGuard® MT/MTS Plus Roof Drain Detail, Gypsum Deck
Detail 22225